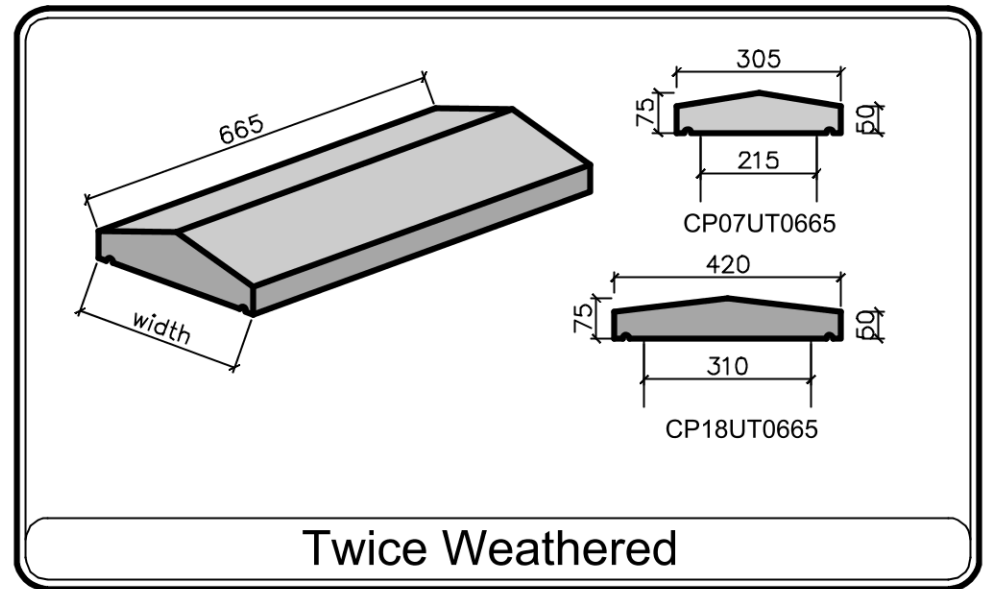
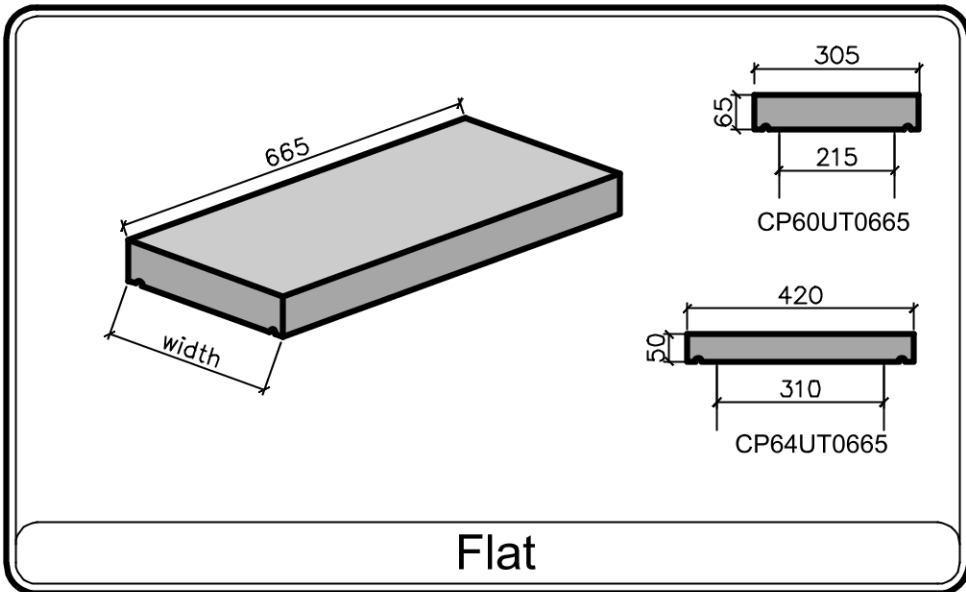


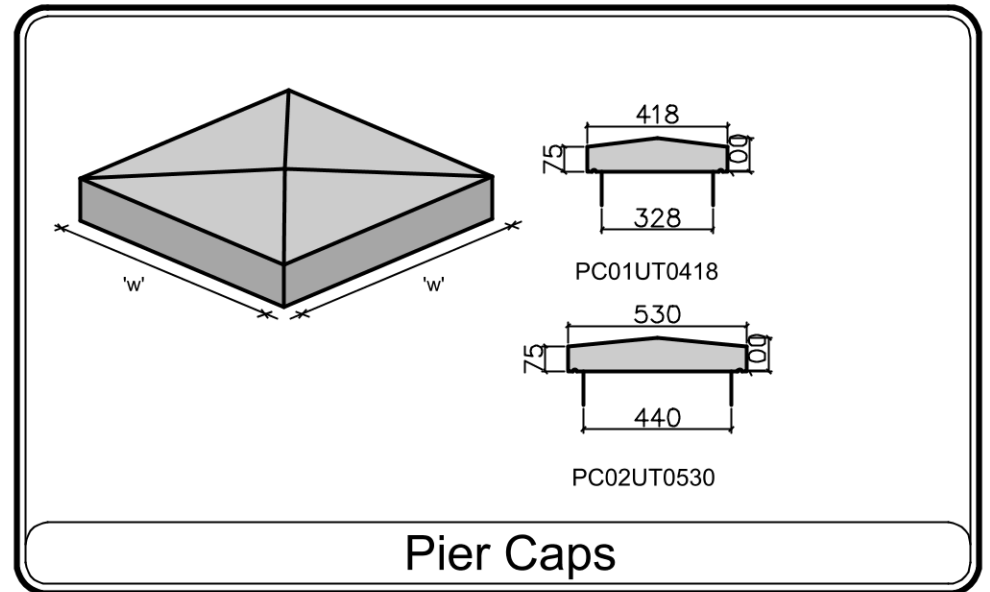
Once Weathered



Twice Weathered



Flat



Pier Caps



01934 835447 info@albat.co.uk

ISO 9001 : 2008
Quality Management System

Manufactured to BS1217: 2008 and to the UKCSA Specification For Cast Stone

AL LINTELS CAST STONE STANDARD RANGE

Copings and Pier Caps

TECHSHEET

AL04

(300820)