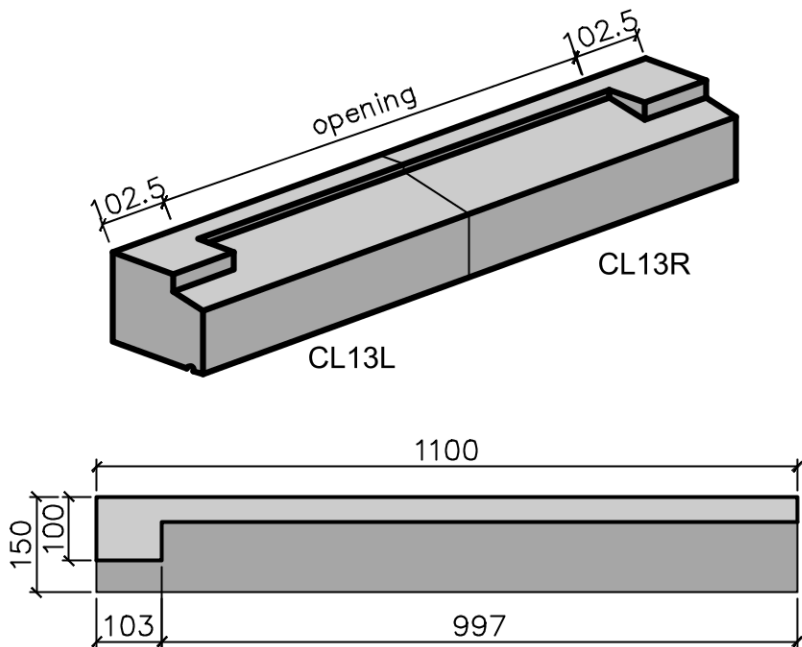
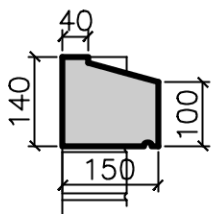


CL11 CILL COMPRISING

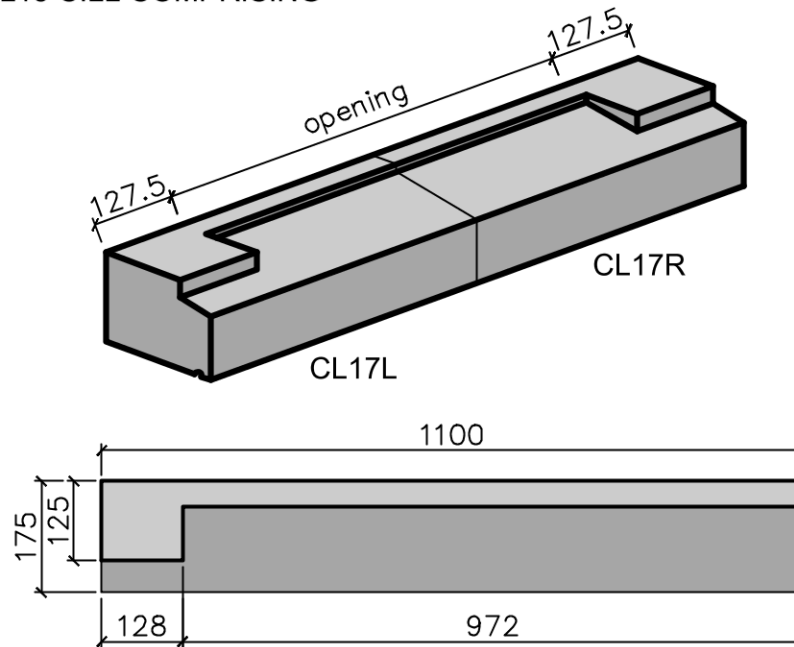


CL13LT - cut to length as required
use with CL13R to form 2pc cill

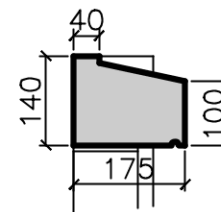


In Brickwork

CL15 CILL COMPRISING



CL17 - cut to length as required
use with CL17R to form 2pc cill



In Render



01934 835447 info@albat.co.uk

ISO 9001 : 2008
Quality Management System
Manufactured to BS1217: 2008 and to the UKCSA Specification For Cast Stone

AL LINTELS CAST STONE STANDARD RANGE

140mm High Traditional Cill

TECHSHEET

AL02

(300820)