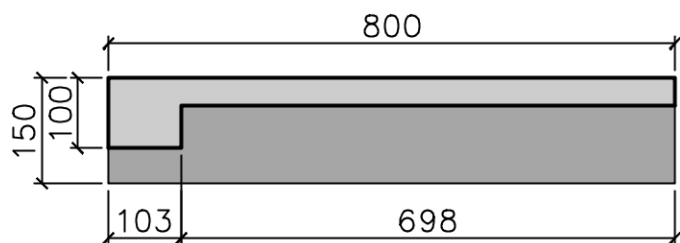
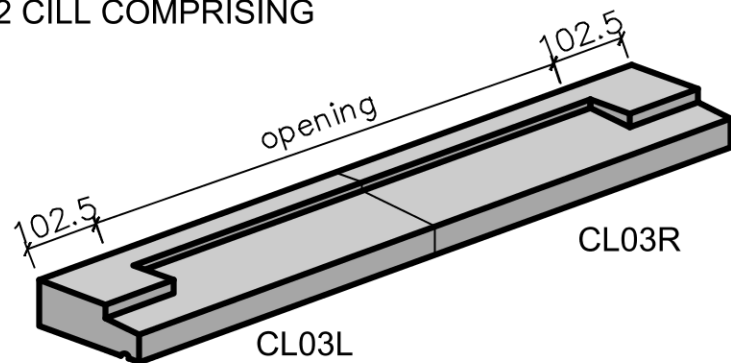
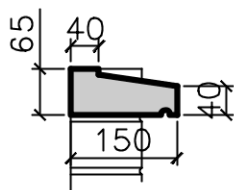


CL02 CILL COMPRISING

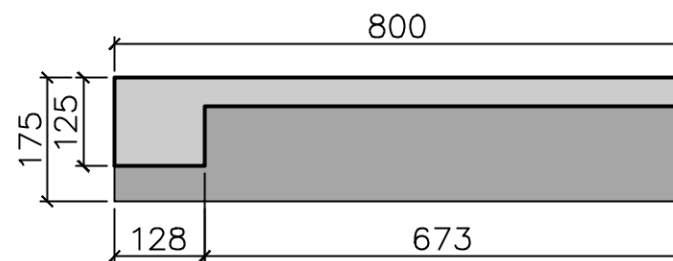
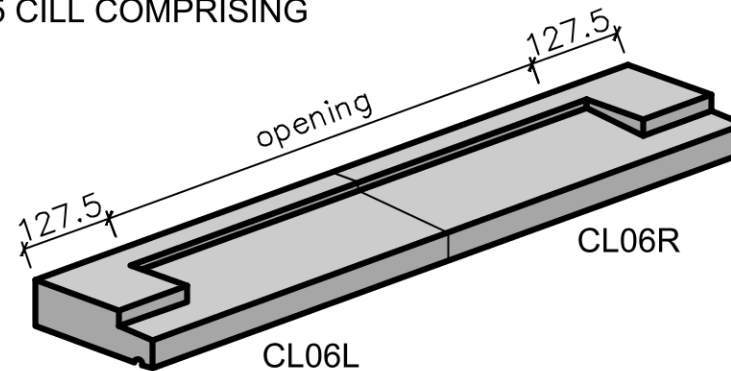


CL03L - cut to length as required
use with CL03R to form 2pc cill

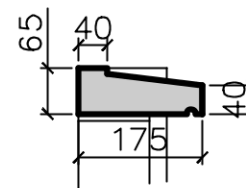


In Brickwork

CL05 CILL COMPRISING



CL06L - cut to length as required
use with CL06R to form 2pc cill



In Render



01934 835447 info@albat.co.uk

ISO 9001 : 2008
Quality Management System

Manufactured to BS1217: 2008 and to
the UKCSA Specification For Cast Stone

AL LINTELS CAST STONE STANDARD RANGE

65mm High Traditional Cill

TECHSHEET

AL01

(300820)